


| | | | | | |
|-----------------|--|-------------|--|--|---|
| A1 | MODULE MAITRE A MICROPROCESSEUR | RT31...RT33 | SONDE DE TEMPERATURE ASPIRATION | | |
| A1A-A2A-AC | MODULE ENTREES/SORTIES | RT100 | SONDE DE TEMPERATURE COMMUNE RETOUR EAU EVAPORATEUR | | |
| A2 | AFFICHEUR | SP1F-SP8F | PRESSOSTAT HAUTE PRESSION DE SECURITE COMPRESSEUR | | |
| A11 | MODULE CONTROLE VENTILATEUR CONDENSEUR | SP90F | DETECTEUR DEBIT D'EAU POMPE EVAPORATEUR | | |
| A156 | MODULE ENTREES/SORTIES | ST100 | THERMOSTAT VENTILATION COFFRET | | |
| A148 | PASSERELLE CCN-JBUS / CCN-BACNET / CCN-LON | TC | TRANSFORMATEUR CIRCUIT CONTROLE | | |
| BP1 | TRANSDUCTEUR DE PRESSION REFOULEMENT CIRCUIT A | TC1-TC8 | TRANSFORMATEUR CIRCUIT COMMANDE COMPRESSEUR | | |
| BP2 | TRANSDUCTEUR DE PRESSION REFOULEMENT CIRCUIT B | TI | TRANSFORMATEUR COURANT | | |
| BP3 | TRANSDUCTEUR DE PRESSION ASPIRATION CIRCUIT A | XS | PRISE DE COURANT | | |
| BP4 | TRANSDUCTEUR DE PRESSION ASPIRATION CIRCUIT B | | | | |
| BP90.1-BP90.2 | TRANSDUCTEUR POMPE EAU | | | | |
| C1-C2-C3 | CONDENSATEUR | | | | |
| EC1-EC8 | COMPRESSEUR | | | | |
| ED1-ED2 | DETENDEUR ELECTRONIQUE | | | | |
| EH40 | RECHAUFFEUR BALLON TAMPON | | | | |
| EH41 | RECHAUFFEUR EVAPORATEUR | | | | |
| EH90 | RECHAUFFEUR TUYAUTERIE POMPE HYDRAULIQUE | | | | |
| EH90B | RECHAUFFEUR CIRCUIT BALLON TAMPON | | | | |
| EH141-144 | RECHAUFFEUR EVAPORATEUR | | | | |
| EP91-EP92 | POMPE A EAU EVAPORATEUR | | | | |
| EV11-EV42 | VENTILATEUR CONDENSEUR | | | | |
| EV100 | VENTILATEUR COFFRET | | | | |
| FUA-FU1C...FU3C | FUSIBLE DE PROTECTION CONDENSATEUR | | | | |
| FT1-FT8 | SONDE DE TEMPERATURE MOTEUR COMPRESSEUR | | | | |
| FU1-FU4 | FUSIBLE DE PROTECTION COMPRESSEURS | | | | |
| FV100 | CONTROLEUR DE RESEAU | | | | |
| GS1-GS8 | DEMARREUR COMPRESSEUR | | | | |
| GS91-GS92 | VARIATEUR DE VITESSE MOTEUR POMPE | | | | |
| GSA-GSB | VARIATEUR DE VITESSE MOTEUR VENTILATEUR CONDENSEUR | | | | |
| KAC-KBC | RELAIS COMMANDE RECHAUFFEUR COMPRESSEUR | | | | |
| K41 | RELAIS COMMANDE RECHAUFFEUR EVAPORATEUR | | | | |
| K140 | RELAIS COMMANDE RECHAUFFEUR CONDENSEUR | | | | |
| KA1-KA8 | RELAIS COMMANDE COMPRESSEUR | | | | |
| KA1F-KA8F | RELAIS COMMANDE COMPRESSEUR | | | | |
| KC1-KC2-KC3 | CONTACTEUR CONDENSATEUR | | | | |
| KM1-KM8 | CONTACTEUR COMPRESSEUR | | | | |
| KM11-KM42 | CONTACTEUR VENTILATEUR CONDENSEUR | | | | |
| KM91-KM92 | CONTACTEUR POMPE EVAPORATEUR | | | | |
| QF-QFA-QF100 | DISJONCTEUR CIRCUIT CONTROLE | | | | |
| QM11-QM42 | DISJONCTEUR VENTILATEUR CONDENSEUR | | | | |
| QM91-QM92 | DISJONCTEUR PROTECTION POMPE A EAU EVAPORATEUR | | | | |
| QFAC - QFBC | DISJONCTEUR CIRCUIT RECHAUFFEUR | | | | |
| QM11-QM42 | DISJONCTEUR VENTILATEUR CONDENSEUR | | | | |
| QM91-QM92 | DISJONCTEUR PROTECTION POMPE A EAU EVAPORATEUR | | | | |
| QS100 | INTERRUPTEUR GENERAL | | | | |
| RT1 | SONDE DE TEMPERATURE SORTIE EAU EVAPORATEUR | | | | |
| RT2 | SONDE DE TEMPERATURE ENTREE EAU EVAPORATEUR | | | | |
| RT10 | SONDE DE TEMPERATURE AIR AMBIANT OU EXTERIEUR | | | | |
| | | | OPTIONS | | RACCORDEMENTS CONTROLE CLIENT |
| | | | PRESSION DISPONIBLE | | 1 MARCHE / ARRET A DISTANCE |
| | | | HAUTE TEMPERATURE AMBIANTE | | 2 SELECTION DE CONSIGNE |
| | | | DEMARRAGE A COURANT REDUIT | | 3 LIMITATION DE PUISSANCE |
| | | | DEMARRAGE HIVER | | 5 SORTIE RELAIS POUR ALARME |
| | | | DEMARRAGE HIVER AVEC MOTEUR BI VITESSE (DAHLANDER) | | 6 SORTIE RELAIS MACHINE EN FONCTIONNEMENT |
| | | | DEMARRAGE HIVER AVEC MOTEUR BI VITESSE (ETOILE-TRIANGLE) | | 7 ASSERVISSEMENT CLIENT |
| | | | RECHAUFFEUR D'EVAPORATEUR | | 11 OCCUPANCY OVERRIDE SWITCH |
| | | | RECHAUFFEUR D'EAU | | 12 LIMITE DE CAPACITE 2 |
| | | | RECHAUFFEUR MODULE HYDRAULIQUE & BALLON TAMPON | | 13 CHAINE DE SECURITE CLIENT |
| | | | DESURCHAUFFEUR | | 14 CONTACT EAU GLACE |
| | | | SONDE COMMUNE EAU FROIDE | | 17 TEMPERATURE AIR AMBIANT |
| | | | POMPE SIMPLE HAUTE PRESSION | | 18 LIMITATION CAPACITE |
| | | | POMPE DOUBLE HAUTE PRESSION | | 19 MACHINE EN FONCTIONNEMENT |
| | | | POMPE SIMPLE BASSE PRESSION | | 20 ALERTE |
| | | | POMPE DOUBLE BASSE PRESSION | | 21 MACHINE A L'ARRET |
| | | | POMPE SIMPLE BASSE PRESSION AVEC VARIATEUR DE FREQUENCE | | 22 BOILER / ETAGE ELCTRIQUE 1 |
| | | | POMPE DOUBLE BASSE PRESSION AVEC VARIATEUR DE FREQUENCE | | 23 ETAGE ELCTRIQUE 2 |
| | | | CARTE CCN / LON | | 24 ETAGE ELCTRIQUE 2 |
| | | | BACNET-IP | | 25 ETAGE ELCTRIQUE 4 |
| | | | MODULE GESTION ENERGIE | | 26 DEMANDE DESURCHAUFFEUR HEATER |
| | | | REGULATION TOUCH PILOT | | 27 POMPE CLIENT DESUPERHEATER |
| | | | DETECTEUR DE FUITE REFRIGERANT | | 50 AJUSTEMENT CONSIGNE PAR SIGNAL 4-20mA |
| | | | CORRECTION DU FACTEUR DE PUISSANCE | | 52 DETECTEUR FLUIDE REFRIGERANT |
| | | | PRISE SERVICE 230V | | |
| | | | CONSIGNE AJUSTABLE PAR SIGNAL 4-20mA | | |
| | | | GESTION AERO FREE COOLING | | |

SCHEMA SIMPLIFIE
SIMPLIFIED WIRING

ILDST/ILDHE
602 -> 2000

| | | |
|---|------------|---|
|  | 06/12/2018 | 1 |
| 00DCG000206400 | | B |

| | | | |
|---------------|--|-------------|--|
| A1 | MICROPROCESSOR-BASED MASTER MODULE | RT31 - RT32 | SUCTION TEMPERATURE SENSOR |
| A1A-A2A-AC | INPUT/OUTPUT MODULE | RT100 | EVAPORATOR COMMON ENTERING WATER TEMPERATURE SENSOR (LEAD-LAG) |
| A2 | DISPLAY | SP1F - SP5F | HIGH PRESSURE SAFETY SWITCH |
| A11 | CONDENSER FAN CONTROL MODULE | SP90F | EVAPORATOR PUMP FLOW SWITCH |
| A148 | J-BUS / LON / BACNET BOARD | ST100 | ELECTRICAL BOX FAN THERMOSTAT |
| A156 | INPUT/OUTPUT MODULE | TC | CONTROL CIRCUIT TRANSFORMER |
| BP1 | DISCHARGE PRESSURE TRANSDUCER, CIRCUIT A | TC1 ... TC8 | CONTROL CIRCUIT TRANSFORMER, COMPRESSOR |
| BP2 | DISCHARGE PRESSURE TRANSDUCER, CIRCUIT B | TI | CURRENT TRANSFORMER |
| BP3 | SUCTION PRESSURE TRANSDUCER. CIRCUIT A | XS | PLUG |
| BP4 | SUCTION PRESSURE TRANSDUCER. CIRCUIT B | | |
| BP90.1-BP90.2 | WATER PUMP TRANSDUCER | | |
| C1-C2-C3 | CONDENSATOR | | |
| EC1 ... EC8 | COMPRESSOR | | |
| ED1-ED2 | ELECTRONIC EXPANSION VALVE | | |
| EH40 | BUFFER TANK HEATER | | |
| EH41 | EVAPORATOR HEATER | | |
| EH90 | EVAPORATOR WATER CIRCUIT HEATING ELEMENT | | |
| EH90B | BUFFER TANK CIRCUIT HEATERS | | |
| EH141-144 | EVAPORATOR HEATER | | |
| EP91-EP92 | WATER PUMP | | |
| EV11...EV42 | CONDENSER FAN | | |
| EV100 | ELECTRICAL BOX FAN | | |
| FT1...FT8 | COMPRESSOR MOTOR TEMPERATURE SENSOR | | |
| FU1...FU4 | FUSE, COMPRESSOR | | |
| FUA-FU1C..3C | FUSE, CONDENSATOR | | |
| FV100 | ELECTRICAL POWER SUPPLY REGULATOR | | |
| GS1...GS8 | SOFT START DEVICE, COMPRESSOR | | |
| GS91-GS92 | PUMP MOTOR VARIABLE SPEED DRIVE | | |
| GSA - GSB | CONDENSER FAN MOTOR VARIABLE SPEED DRIVE | | |
| KAC-KBC | COMPRESSOR HEATER CONTROL RELAY | | |
| K41 | EVAPORATOR HEATER CONTROL RELAY | | |
| K140 | CONDENSOR HEATER CONTROL RELAY | | |
| KC1-KC2-KC3 | CONTACTOR CONDENSATOR | | |
| KM1...KM8 | CONTACTOR, COMPRESSOR | | |
| KA1...KA8 | COMPRESSOR RELAY | | |
| KA1F...KA8F | COMPRESSOR RELAY | | |
| KM11...KM42 | CONDENSER FAN CONTACTOR | | |
| KM91-KM92 | EVAPORATOR PUMP CONTACTOR | | |
| QF-QFA-QF100 | CIRCUIT BREAKER, CONTROL CIRCUIT | | |
| QM11...QM42 | CONDENSER FAN CIRCUIT BREAKER | | |
| QM91-QM92 | EVAPORATOR WATER PUMP CIRCUIT BREAKER | | |
| QFAC-QFBC | HEATER CIRCUIT BREAKER | | |
| QM11...QM42 | CONDENSER FAN CIRCUIT BREAKER | | |
| QM91-QM92 | EVAPORATOR WATER PUMP CIRCUIT BREAKER | | |
| QS100 | GENERAL DISCONNECT SWITCH | | |
| RT1 | EVAPORATOR LEAVING WATER TEMPERATURE SENSOR | | |
| RT2 | EVAPORATOR ENTERING WATER TEMPERATURE SENSOR | | |
| RT10 | AMBIENT OR OUTSIDE AIR TEMPERATURE SENSOR | | |

OPTIONS


HIGH STATIC PRESSURE CONDENSER FANS
HIGH AMBIANTE TEMPERATURE
SOFT START
WINTER START
WINTER START WITH TWO SPEED FANS MOTORS (DAHLANDER)
WINTER START WITH TWO SPEED FANS MOTORS (STAR-DELTA)
EVAPORATOR HEATER
WATER HEATER
EXCHANGER & HYDRAULIC FROST PROTECTION
DESUPERHEATER
DUPLEXING
HIGH PRESSURE HYDRONIC KIT WITH SINGLE PUMP
HIGH PRESSURE HYDRONIC KIT WITH TWIN PUMP
LOW PRESSURE HYDRONIC KIT WITH SINGLE PUMP
LOW PRESSURE HYDRONIC KIT WITH TWIN PUMP
VFD HYDRONIC KIT WITH SINGLE PUMP
VFD HYDRONIC KIT WITH TWIN PUMP
CCN TO LON GATEWAY
BACNET-IP GATEWAY
ENERGY MANAGEMENT MODULE
TOUCH PILOT CONTROL
LEAK DETECTION SYSTEM
POWER FACTOR CORRECTION
ELECTRICAL SERVICE PLUG
SET POINT ADJUSTMENT BY 4-20ma SIGNAL
FREE COOLING DRY COOLER MANAGEMENT

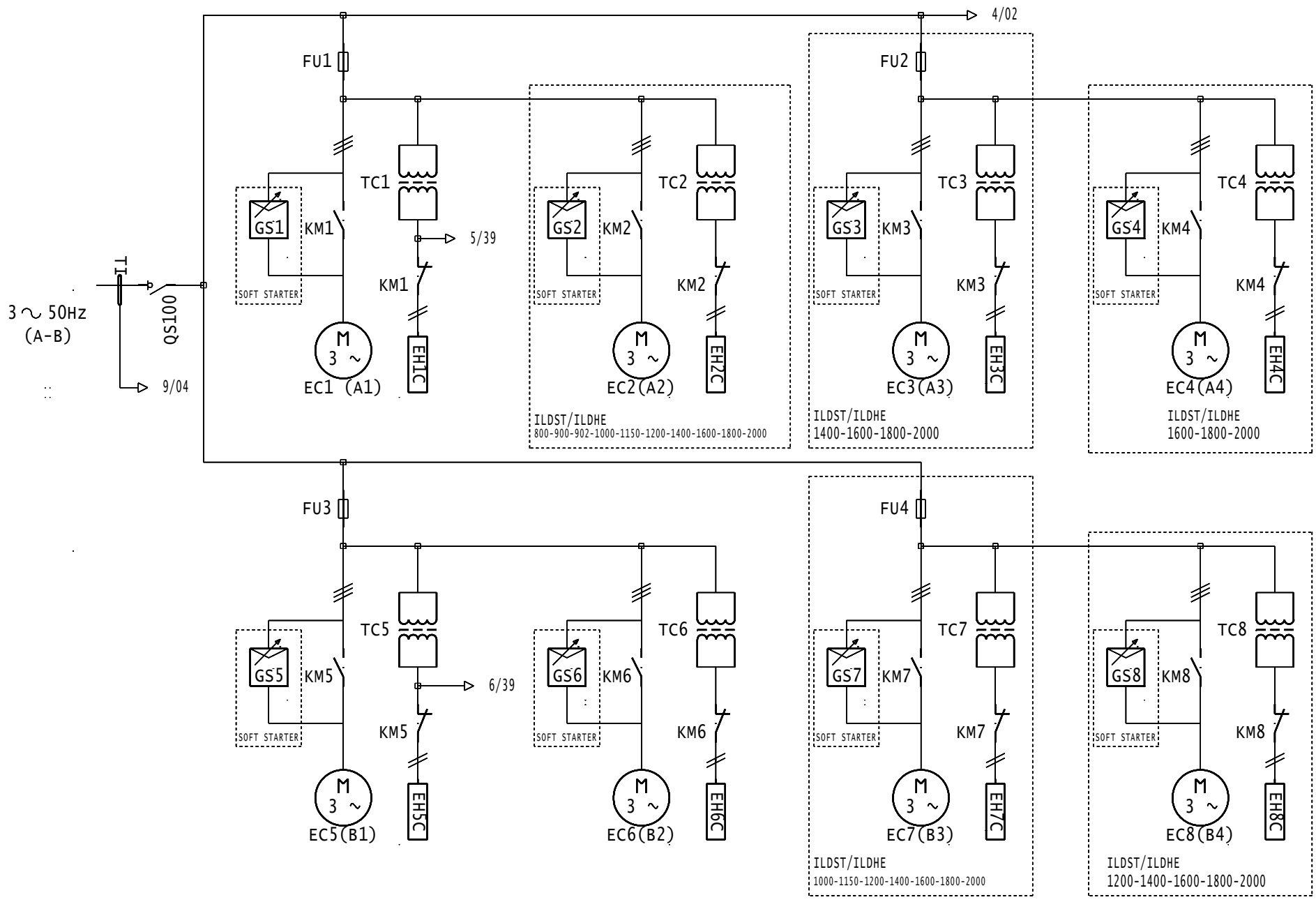
CONTROL CONNECTIONS

| | |
|----|--------------------------------------|
| 1 | ON/OFF SWITCH |
| 2 | SECOND SETPOINT SWITCH |
| 3 | LIMIT SWITCH 1 |
| 5 | ALARM RELAY |
| 6 | RUNNING RELAY |
| 7 | CUSTOMER INTERLOCK |
| 11 | OCCUPANCY OVERRIDE SWITCH |
| 12 | CAPACITY LIMIT SWITCH 2 |
| 13 | CUSTOMER INTERLOCK |
| 14 | ICE DONE SWITCH |
| 17 | SPACE TEMPERATURE |
| 18 | CAPACITY LIMIT CONTROL |
| 19 | CHILLER CAPACITY RUNNING OUTPUT |
| 20 | CHILLER IN ALERT |
| 21 | CHILLER TOTALLY SHUTDOWN |
| 22 | BOILER / ELECTRICAL HEAT STAGE 1 |
| 23 | ELECTRICAL HEAT STAGE 2 |
| 24 | ELECTRICAL HEAT STAGE 3 |
| 25 | ELECTRICAL HEAT STAGE 4 |
| 26 | DESUPERHEATER DEMAND |
| 27 | CUSTOMER DESUPERHEATER PUMP |
| 50 | SETPOINT ADJUSTMENT BY 4-20ma SIGNAL |
| 52 | LEAK DETECTION SYSTEM |

SCHEMA SIMPLIFIE
SIMPLIFIED WIRING

ILDST/ILDHE
602 -> 2000

| | | |
|---|------------|---|
|  | 06/12/2018 | 2 |
| 00DCG000206400 | | B |



01 02 03 04 05 06 07 08 09 10 11 12 13 14 15 16 17 18 19 20 21 22 23 24 25 26 27 28 29 30 31 32 33 34 35 36 37 38 39 40

SCHEMA SIMPLIFIE
SIMPLIFIED WIRING

ILDST/ILDHE
602 -> 2000

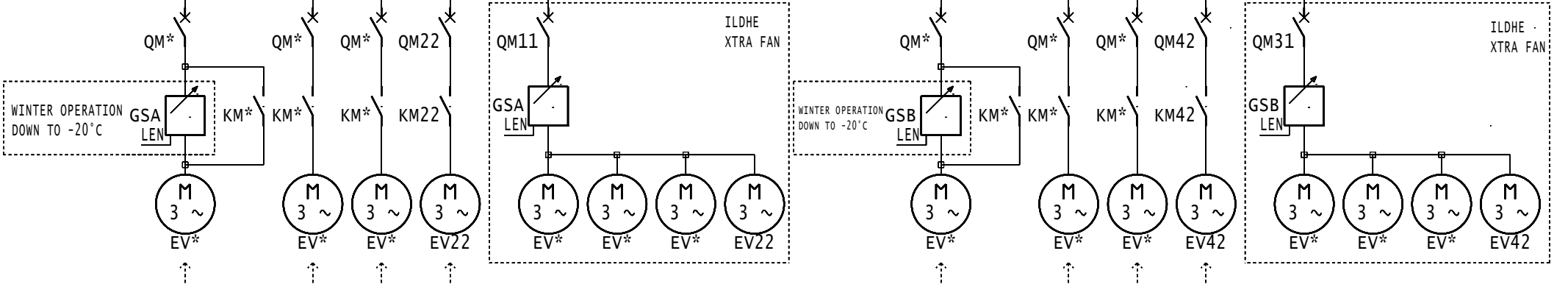


06/12/2018

3

00DCG000206400

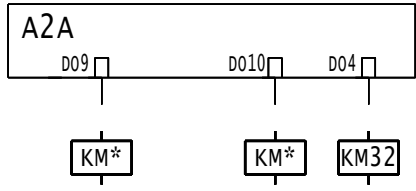
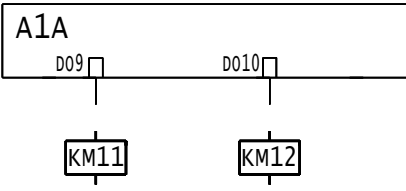
B



| | |
|-------------------|----|
| ILDST 602 | 11 |
| ILDST 650-800-900 | 11 |
| ILDST 902-1000 | 11 |

| |
|----|
| 12 |
| 12 |

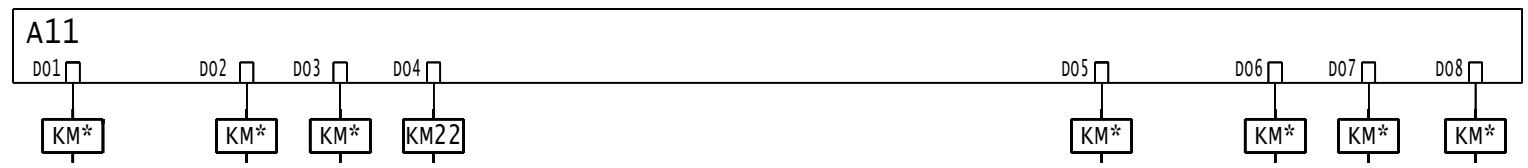
| | | |
|----|----|----|
| 21 | 22 | |
| 21 | 22 | |
| 31 | 21 | 32 |

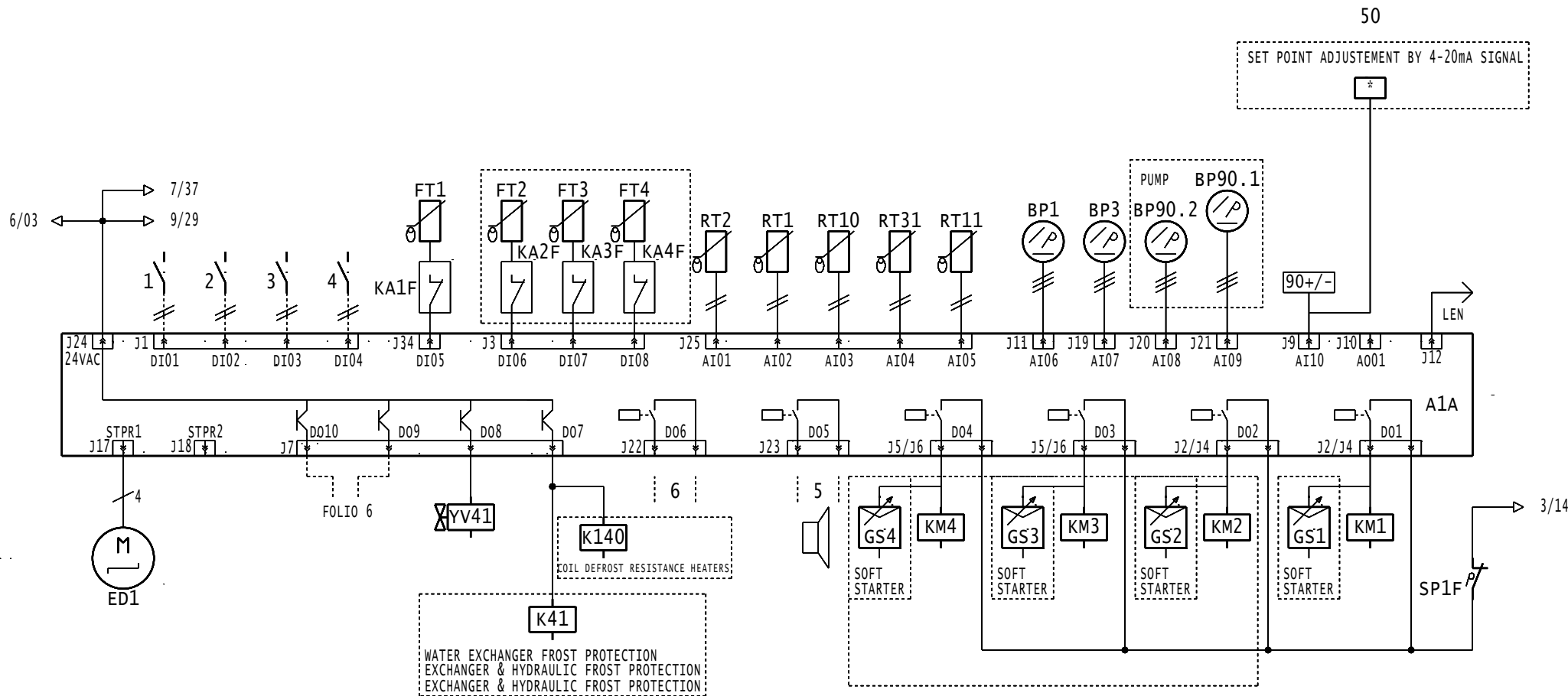



| | |
|----------------------|----|
| ILDST 1150-1200 | 11 |
| ILDST 1400 | 21 |
| ILDST 1600-1800-2000 | 11 |

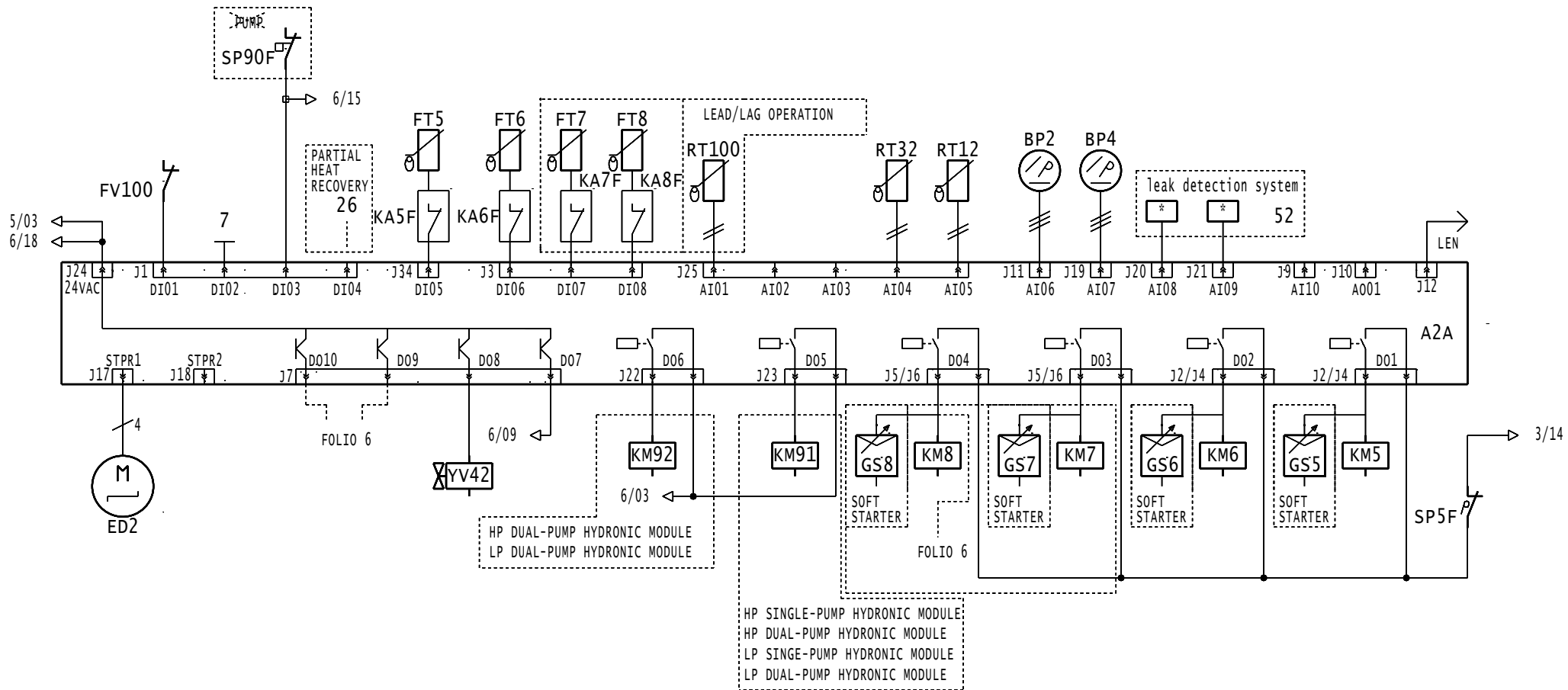
| | | |
|----|----|----|
| 12 | | |
| 11 | 22 | |
| 21 | 12 | 22 |

| | | | |
|----|----|----|----|
| 21 | 31 | 22 | 32 |
| 31 | 41 | 32 | 42 |
| 31 | 41 | 32 | 42 |

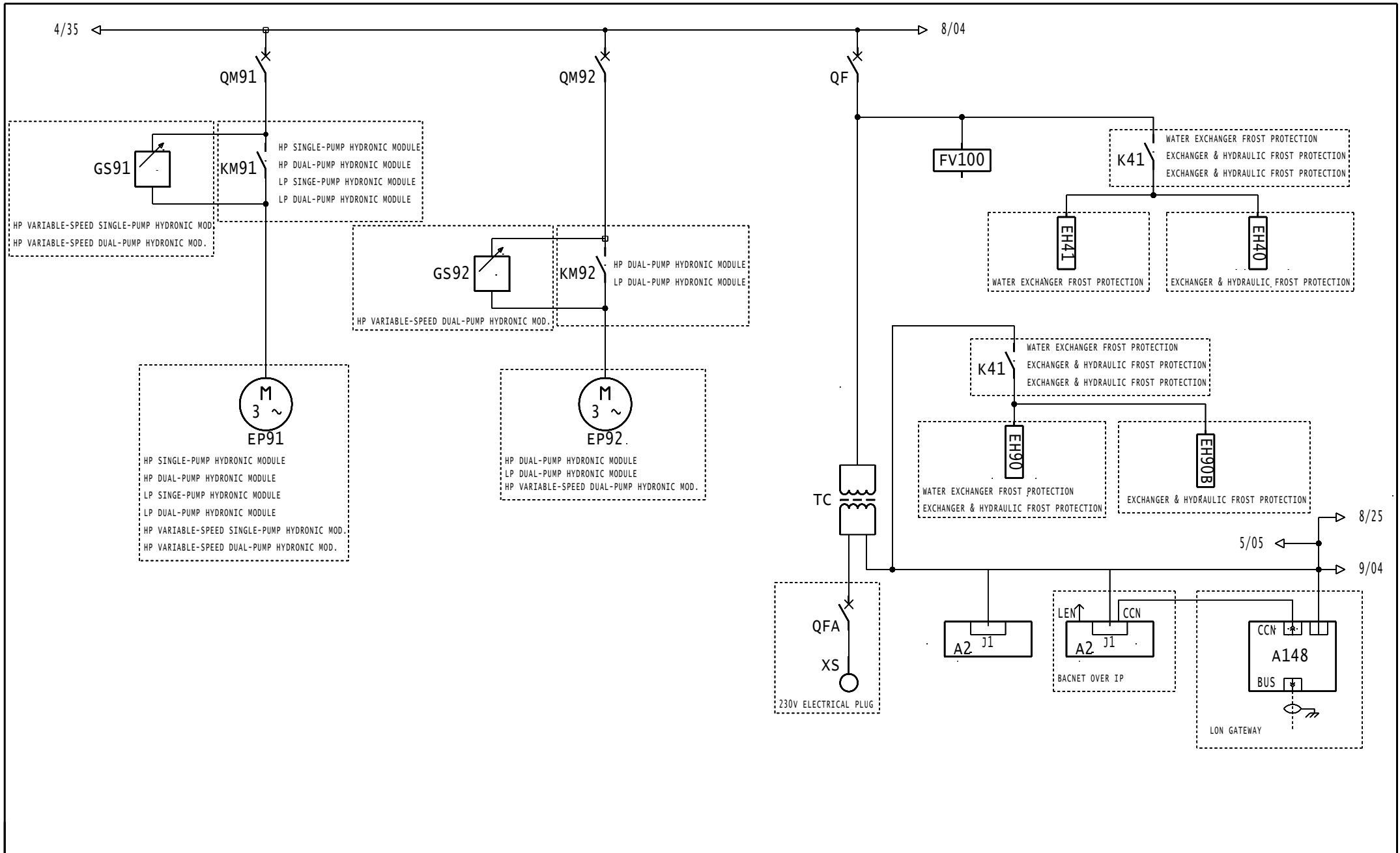




| | | | | | | | | | | | | | | | | | | | | | | | | | | | | | | | | | | | | | | | | |
|---------------------------------------|----|----|----|----|----|----|----|----|----|----|----|----|----|----|----|----|----|----|----|----|----|----|----|----|----------------------------|----|----|----|----|----|----|----|----|----|--|----|----|----|----|---|
| 01 | 02 | 03 | 04 | 05 | 06 | 07 | 08 | 09 | 10 | 11 | 12 | 13 | 14 | 15 | 16 | 17 | 18 | 19 | 20 | 21 | 22 | 23 | 24 | 25 | 26 | 27 | 28 | 29 | 30 | 31 | 32 | 33 | 34 | 35 | 36 | 37 | 38 | 39 | 40 | |
| SCHEMA SIMPLIFIE SIMPLIFIED WIRING | | | | | | | | | | | | | | | | | | | | | | | | | ILDST/ILDHE 602 -> 2000 | | | | | | | | | |  06/12/2018 | | | | | 5 |
| 00DCG000206400 | | | | | | | | | | | | | | | | | | | | | | | | | | | | | | | | | | | B | | | | | |



| | | | | | | | | | | | | | | | | | | | | | | | | | | | | | | | | | | | | | | | |
|---------------------------------------|----|----|----|----|----|----|----|----|----|----|----|----|----|----|----|----|----|----|----|----|----|----|----|----------------------------|----|----|----|----------------|----|------------|----|----|----|----|----|----|----|----|----|
| 01 | 02 | 03 | 04 | 05 | 06 | 07 | 08 | 09 | 10 | 11 | 12 | 13 | 14 | 15 | 16 | 17 | 18 | 19 | 20 | 21 | 22 | 23 | 24 | 25 | 26 | 27 | 28 | 29 | 30 | 31 | 32 | 33 | 34 | 35 | 36 | 37 | 38 | 39 | 40 |
| SCHEMA SIMPLIFIE SIMPLIFIED WIRING | | | | | | | | | | | | | | | | | | | | | | | | ILDST/ILDHE 602 -> 2000 | | | | | | 06/12/2018 | | 6 | | | | | | | |
| | | | | | | | | | | | | | | | | | | | | | | | | | | | | 00DCG000206400 | | B | | | | | | | | | |



| | | | | | | | | | | | | | | | | | | | | | | | | | | | | | | | | | | | | | | | | | | |
|---------------------------------------|----|----|----|----|----|----|----|----|----|----|----|----|----|----|----|----|----|----|----|----|----|----|----|----|----------------------------|----|----|----|----|----|----|----|----|----|----|----|----|----|----|------------|--|---|
| 01 | 02 | 03 | 04 | 05 | 06 | 07 | 08 | 09 | 10 | 11 | 12 | 13 | 14 | 15 | 16 | 17 | 18 | 19 | 20 | 21 | 22 | 23 | 24 | 25 | 26 | 27 | 28 | 29 | 30 | 31 | 32 | 33 | 34 | 35 | 36 | 37 | 38 | 39 | 40 | | | |
| SCHEMA SIMPLIFIE SIMPLIFIED WIRING | | | | | | | | | | | | | | | | | | | | | | | | | ILDST/ILDHE 602 -> 2000 | | | | | | | | | | | | | | | 06/12/2018 | | 7 |
| 00DCG000206400 | | | | | | | | | | | | | | | | | | | | | | | | | | | | | | | | | | | B | | | | | | | |

7/27 ← → 9/06

7/39 ←

FU100 COIL DEFROST RESISTANCE HEATERS
ILDST-ILDHE 1200-1400-1600
1800-2000

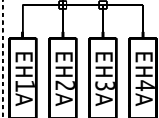
QFAC COIL DEFROST RESISTANCE HEATERS
ILDST-ILDHE 1600-1800-2000

K140 COIL DEFROST RESISTANCE HEATERS



↑ 1200 ↑ 602-650
 800-900 ↑ 902-1000-1150

KAC ILDST/ILDHE
1600-1800-2000



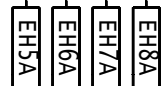
QFBC ILDST-ILDHE 1200-1400-1600-1800-2000

K140 COIL DEFROST RESISTANCE HEATERS

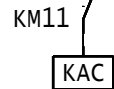


↑ 1200-1400-1600-1800-2000

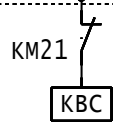
KBC ILDST-ILDHE
1200-1400-1600
1800-2000



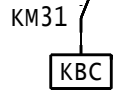
ILDST
WINTER OPERATION DOWN TO -20°C
1600-1800-2000



WINTER OPERATION DOWN TO -20°C
ILDST 1200



WINTER OPERATION DOWN TO -20°C
ILDST 1400
1600-1800-2000



A1A
D09
KAC
ILDHE
ILDHE WINTER OPERATION DOWN TO -20°C
1600-1800-2000

A2A
D09
KBC
ILDHE
ILDHE WINTER OPERATION DOWN TO -20°C
1200-1400-1600-1800-2000

